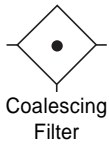


Coalescing Filter M43

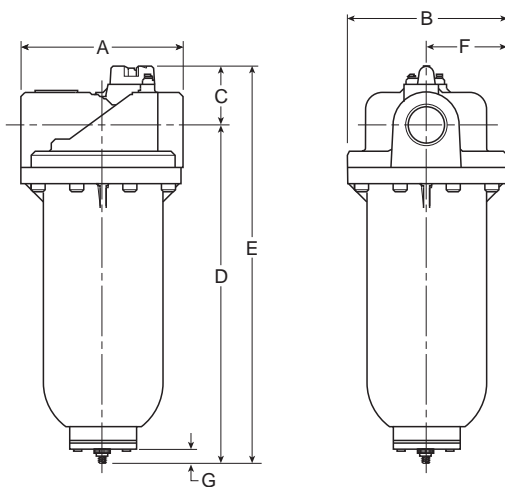
= "Most Popular"



M43-0E-000

Features

- Heavy-duty Cast Aluminum Housings to Withstand Operating Pressures Up to 250 PSIG †
- Differential Pressure Indicator to Eliminate the Guesswork of Element Replacement
- Differential Pressure Gauge Available, Order Separately, Kit DP3-01-000
- Unique Drain Mounting Plate Design Offers Trouble-free Method for Interchanging and Installing External Drains
- High-flow Filter Elements: Coalescing, 1 Micron and 0.01 Micron



Dimensions

Models	Inches (mm)	A	B	C	D	E	F	G
Standard Unit M43-0E-000		8.94 (227)	9.00 (229)	3.45 (88)	25.96 (660)	29.44 (748)	4.50 (114)	.55 (14)

Specifications

Flow Capacity*	3	1770 SCFM (800 dm ³ /s)
Maximum Supply Pressure	without DPI and with Pressure Gauge	250 PSIG (17.2 bar)†
	with DPI	150 PSIG (10.3 bar)
Operating Temperature	32° to 150°F (0° to 65.5°C)	
Port Size	NPT / BSPP-G	3
Bowl Capacity	17.2 oz	
Standard Filtration	Micron	(B1) 1.0, (C) 0.01 (D) 0.003 ppm / wt**
Weight	32.8 lb. (14.9 kg)	

* Inlet pressure 150 PSIG (10.3 bar). Pressure drop of 3 PSID (0.2 bar).

** Filtration temperature of 70°F (21°C) @100 PSIG (6.9 bar) with typical compressor lubricating oil and protected by Type "C" filter.

† Without Differential Pressure Indicator – Max. supply pressure is 250 PSIG (17.2 bar).

"M" Series Coalescing Filters, with Type "B1" 1.0 micron elements: All Wilkerson Type "M" Oil Removal (Coalescing) Filters with Type "B1" 1.0 micron elements **exceed ISO Class 2** for maximum particle size and concentration of solid contaminants, and exceed Class 3 on maximum oil content (ppm/wt).

"M" Series Coalescing Filters, with Type "C" 0.01 micron elements: All Wilkerson Type "M" Oil Removal (Coalescing) Filters with Type "C" 0.01 micron elements **exceed ISO Class 1** for maximum particle size and concentration of solid contaminants, and exceed Class 1 on maximum oil content (ppm/wt).

"M" Series Adsorption Filters, with Type "D" 0.003 micron activated carbon elements: All Wilkerson Type "M" adsorption filters with Type "D" 0.003 micron activated carbon elements **exceed ISO Class 1** on maximum oil content (ppm/wt).

Materials of Construction

Body	Aluminum	
Bowls	Aluminum	
Filter Elements	Type "B1", "C" Type "D"	Borosilicate Cloth Activated Carbon
Seals	Fluorocarbon	
Stud	Plated Steel	

NOTE: Standard filter includes tapped 1/2 NPT / BSPP-G drain plate. To order internal float drain shown, order drain adapter plate GRP-95-391 and automatic drain GRP-95-981.

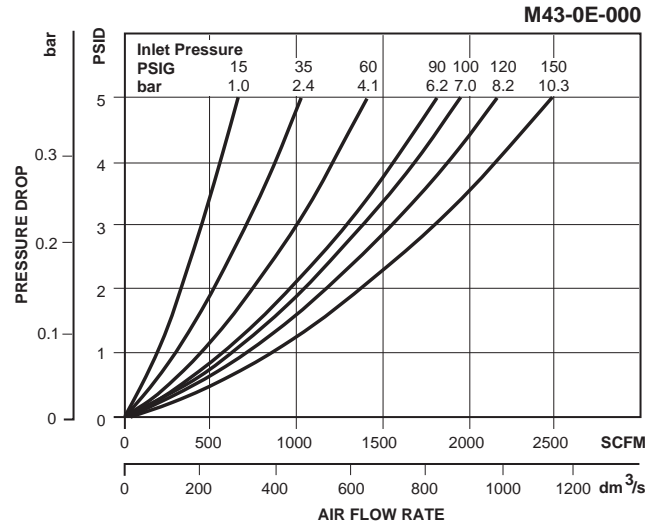
= "Most Popular"

Replacement Element Kits

- Type "B1", 1.0 Micron MSP-95-876
- Type "C", 0.01 Micron..... MTP-95-562
- Type "D", Oil Vapor Removing MXP-95-565

Accessories

- Cap, Differential Pressure Indicator –
For pressures over 150 PSIG..... GRP-95-022
- Drain, Automatic, Internal, Fluorocarbon,
1/8 NPT GRP-95-981
- Drain Plate Kit –
1/2 NPT tapped drain port GRP-95-393
5/16 Dia. Drain Port,
For use with Internal Auto Drain GRP-95-391
- Gauge, Differential Pressure DP3-01-000
- Indicator, Differential Pressure..... DP2-02-001
- Manual Drain Kit
Includes 1/2" Drain Plate, Manual Drain..... GRP-95-392
- Manual Override for Auto Float Drain –
GRP-05-981 Required GRP-96-001



B
Filters, Regulators, Lubricators

Ordering Information

Model Type	Port Size	Metal Bowl / "C" Element	Metal Bowl / "B1" Element	Metal Bowl / "D" Element
M43	3	M43-0E-000	M43-0E-S00	M43-0E-X00 (Includes 1/2 NPT / BSPP-G Drain Plate)

Options - To order an option supplied with the unit model, add the appropriate coded suffix letter in the designated position of the model number.